

# BROCTON 68" CAST IRON ROLL TOP TUB

Cat. No.  
CTRN67



L: 68"  
W: 30-1/8"  
H: 24-3/4" (from floor to top of tub)  
19-1/4" (from bottom of tub to top of tub)

**The following is recommended for CTRN67 tubs without faucet holes:**

- Faucets: part #4602, 4604 or 7082
- Rigid, freestanding supplies: part #4502
- Leg tub drain: part #5599

Gallon Capacity:	57
Shipping Weight:	502 lbs.
Empty Weight:	309 lbs.
Filled Weight:	785 lbs.

## Features:

- ▶ Inside finish is white enamel
- ▶ Cast Iron Ball and claw feet available in 8 finishes or unfinished
- ▶ Tub exterior is white (epoxy)
- ▶ No faucet holes
- ▶ Pre-drilled overflow hole
- ▶ Non-skid strips
- ▶ Feet are attached and leveled before shipment
- ▶ Tub is thoroughly inspected before shipment

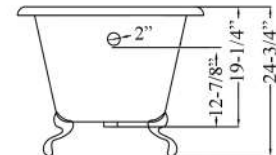
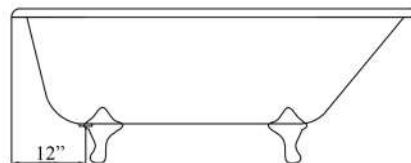
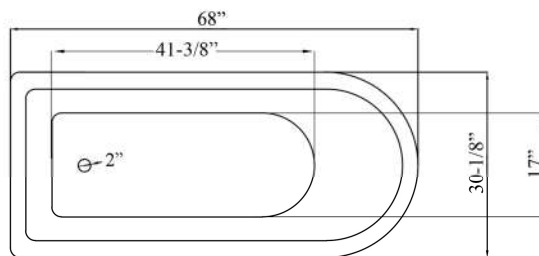
### Foot Finishes:

**UF** Unfinished  
**BL** Painted Black  
**BQ** Painted Bisque  
**PB** Polished Brass



**CP** Polished Chrome  
**WH** Painted White  
**PN** Polished Nickel  
**SN** Brushed Nickel  
**ORB** Oil Rubbed Bronze

**Custom Colors Available** (inside of tub is always white enamel):  
Painted bathtubs are considered "special order" and are not returnable  
\$160 Bisque or Black \$250 Designer Color



# TUB WALL MOUNT FILLER WITH HANDSHOWER

Cat. No.  
4602



Adjustable Swivel Mounts

## Features:

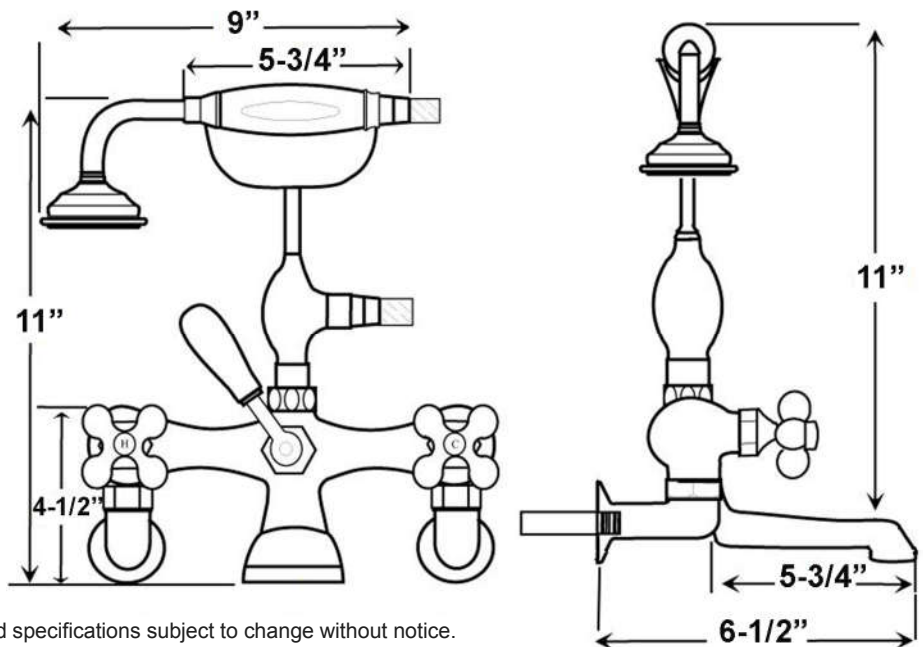
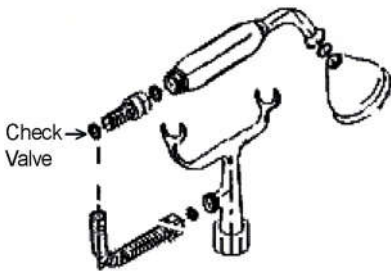
- ▶ Brass construction
- ▶ Elephant spout length is 5-<sup>3</sup>/<sub>4</sub>"
- ▶ Flow rate is 3.7 GPM
- ▶ Available with porcelain lever (**4602-PL**) or metal cross handles (**4602-MC**)
- ▶ Telephone handshower with cradle and hose
- ▶ Handshower flow rate 2.5 GPM
- ▶ Handshower includes backflow preventer
- ▶ Swivel mounts adjust centers from 3" to 12"
- ▶ Faucet centers are 7" without swivel mounts
- ▶ For tub wall mount installation
- ▶ ¼ turn ceramic disc cartridges
- ▶ IAPMO approved
- ▶ To be used with double offset bath supplies, **Part #5576**
- ▶ This faucet can also be used with rigid freestanding supplies, **Part #4502** with adjustable swivel mounts removed



## Finishes:

**BP** Polished Brass  
**CP** Polished Chrome  
**ORB** Oil Rubbed Bronze

**SN** Brushed Nickel  
**PN** Polished Nickel



Dimensions are nominal and may vary. Dimensions and specifications subject to change without notice.

# FREESTANDING BATH SUPPLIES

Cat. No.  
4502-PL



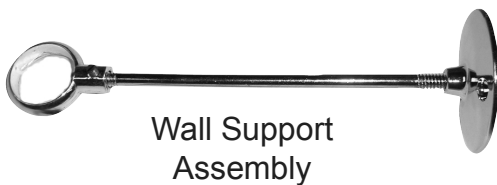
## Features:

- ▶ 5" Shaft included
  - ▶ Stops included
  - ▶ 1/2" Pipe thread inlet
  - ▶ 3/4" Flare outlet
  - ▶ Wall support assemblies included
  - ▶ Porcelain lever handles
  - ▶ IAPMO approved
  - ▶ Available in 5 finishes
  - ▶ Should not be used with leg tubs that have factory drilled holes.
- ▶ 0.800" Outer diameter
  - ▶ 0.595" Inner diameter
  - ▶ 0.090" Thickness of wall

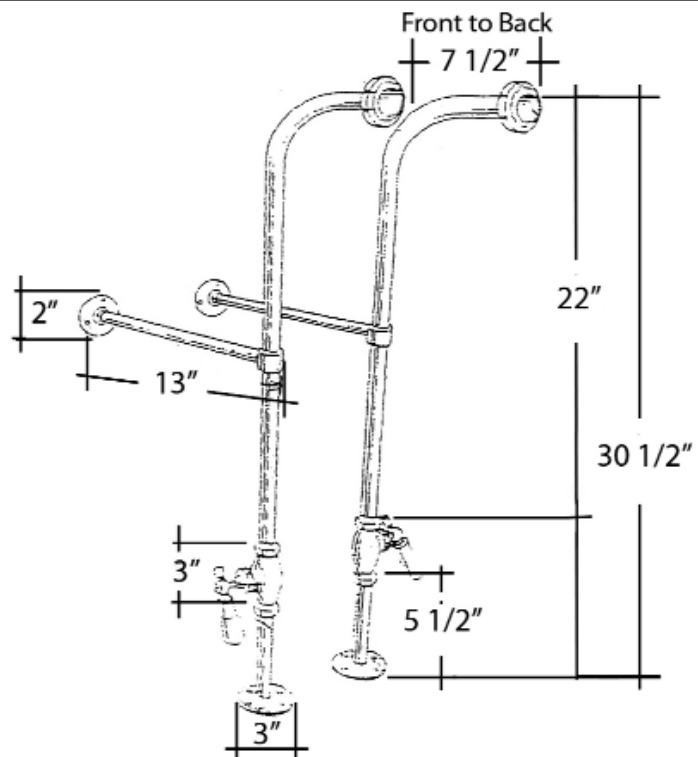
## Finishes:

- CP Polished Chrome
- PN Polished Nickel
- BP Polished Brass
- ORB Oil Rubbed Bronze
- SN Brushed Nickel

H: 30" (30-1/2" with nut)



Wall Support  
Assembly



**Use on concrete floors requires special installation. We recommend using a plumbing professional.**

Dimensions are nominal and may vary. Dimensions and specifications subject to change without notice.

# LEG TUB DRAIN

Cat. No.  
5599



Escutcheon Height: 1-1/4"

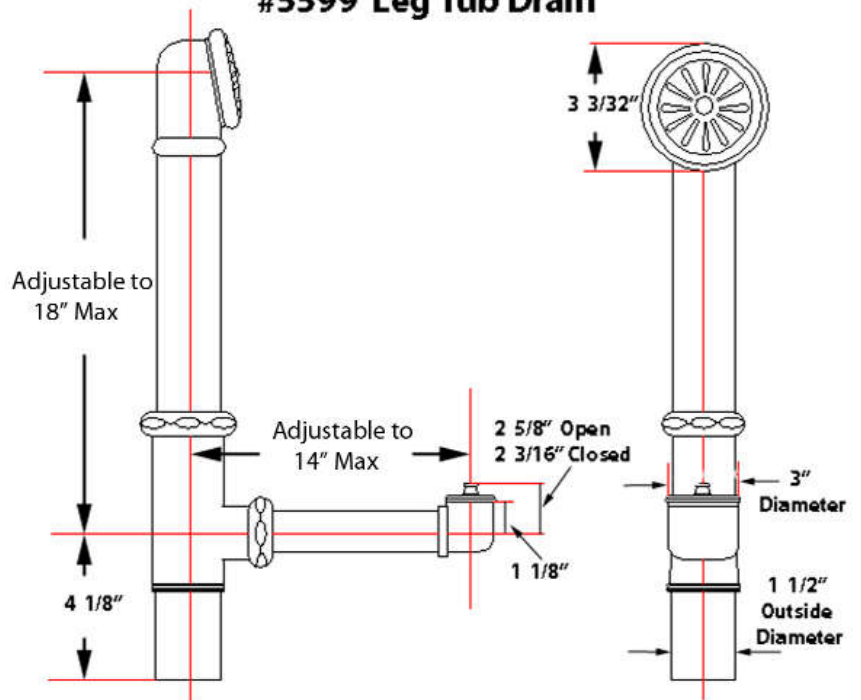
## Features:

- ▶ Twist-and-lift stopper
- ▶ Includes deep escutcheon
- ▶ Height adjustable 15"-18"
- ▶ Depth adjustable 12"-14"
- ▶ Includes deep escutcheon
- ▶ IAPMO approved
- ▶ Available in 5 Finishes

## Finishes:

- CP** Polished Chrome
- BP** Polished Brass
- SN** Brushed Nickel
- PN** Polished Nickel
- ORB** Oil Rubbed Bronze

## #5599 Leg Tub Drain



Dimensions and specifications subject to change without notice.